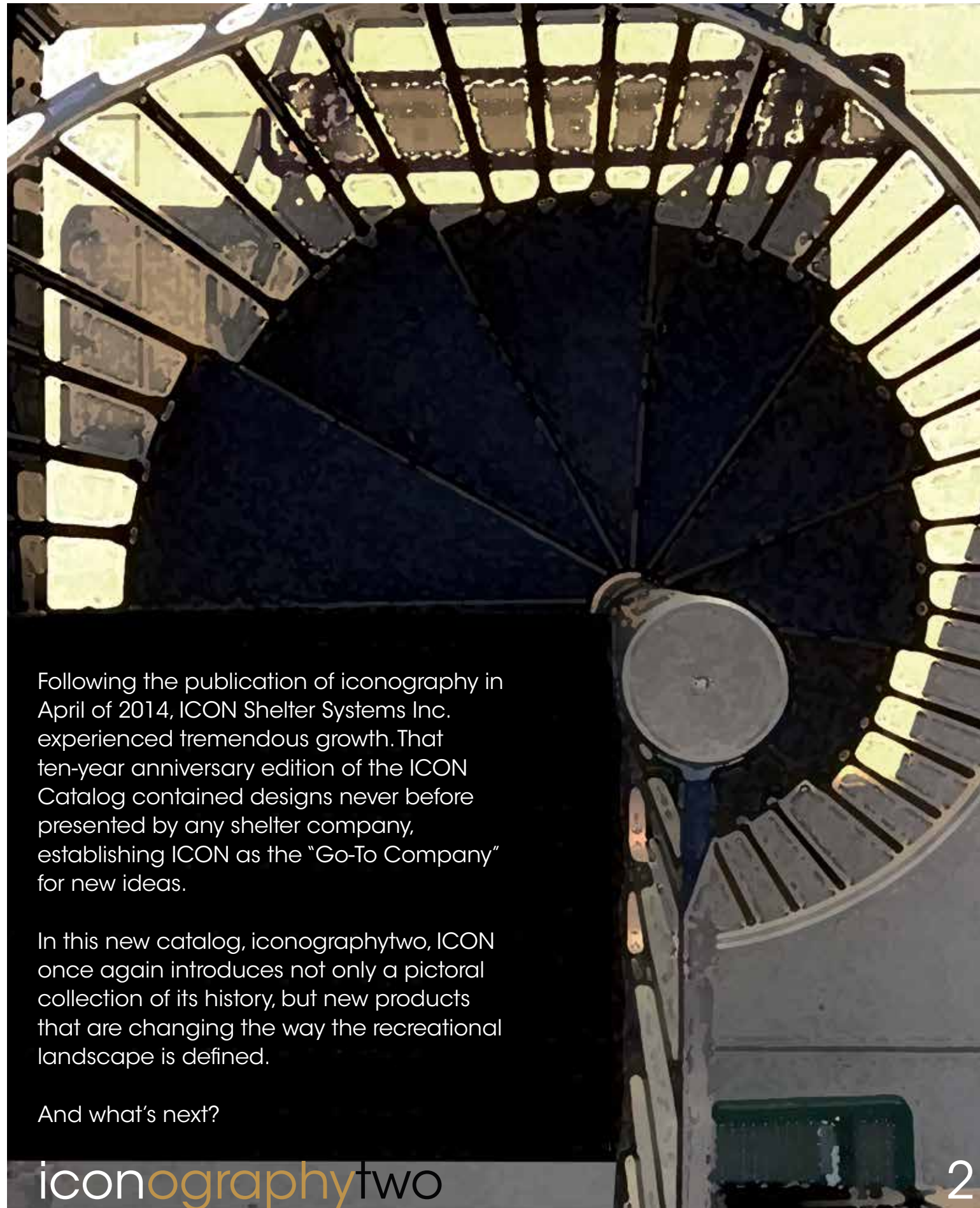


ICON

iconographytwo



Following the publication of iconography in April of 2014, ICON Shelter Systems Inc. experienced tremendous growth. That ten-year anniversary edition of the ICON Catalog contained designs never before presented by any shelter company, establishing ICON as the "Go-To Company" for new ideas.

In this new catalog, iconographytwo, ICON once again introduces not only a pictorial collection of its history, but new products that are changing the way the recreational landscape is defined.

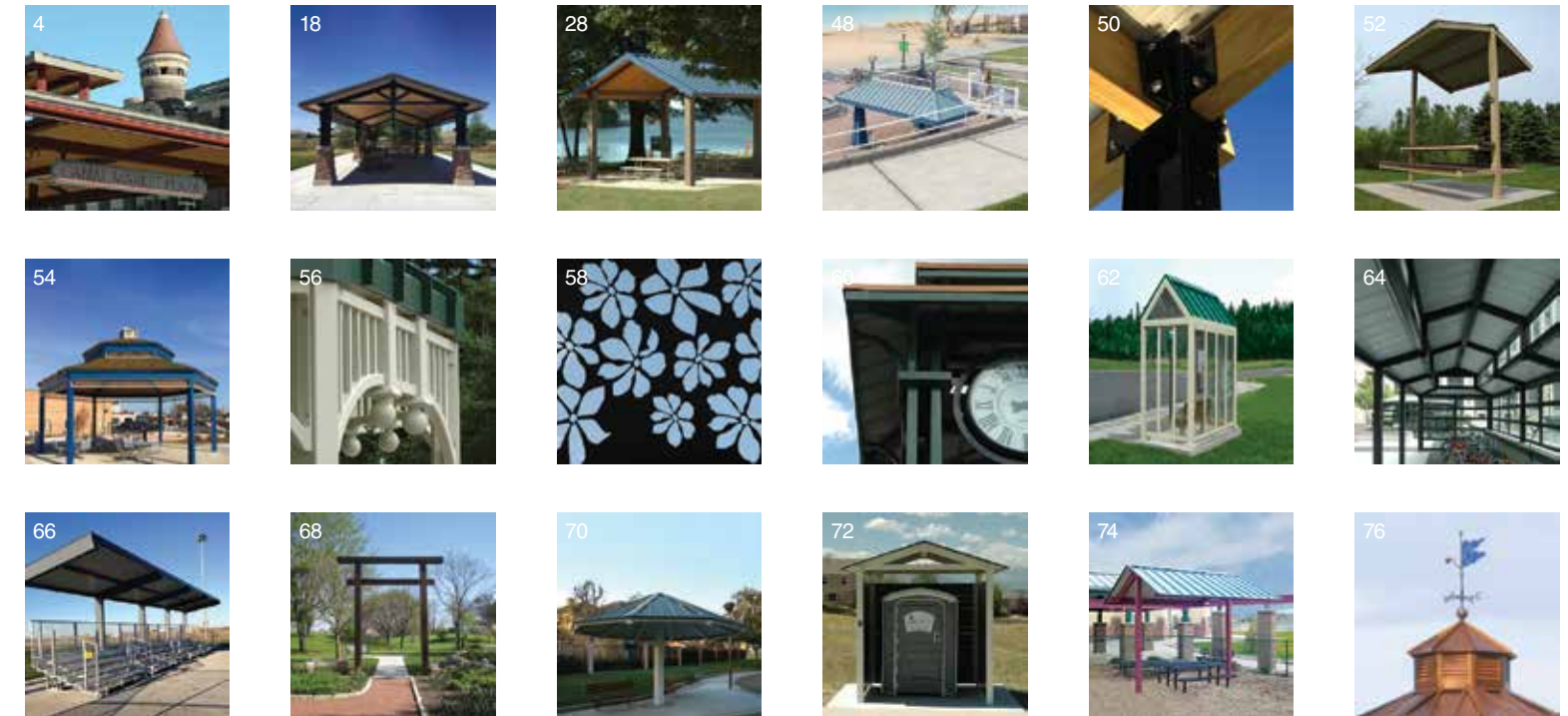
And what's next?

iconographytwo

2



table of contents



4	Featured Projects	64	ICON Ride Bicycle Shelters and Accessories
18	Craftsman Series™ Shelters	66	Athletic Shelters
28	Industry Standard Shelters	68	Pedestrian Bridges Entry Arches
48	Vista Series™ Shelters	70	Umbrella Shelters I-Span Shelters
50	IRONWORKS™ Shelters and Site Furnishings	72	Porta-Potty Shelters Mailbox Shelters
52	Trail Series™ Shelters	74	Message Shelters Mini-Shades
54	LiveShade™ Shelters	76	Solar Solutions Options & Accessories
56	ICON Original Gazebos		
58	Partial Shade Shelters		
60	Clock Towers		
62	En Route™ Transit Shelters		

3

(800) 748-0875
www.iconshelters.com

featured projects



featured projects



*Auburn Cultural Plaza
Auburn, Indiana*

Ref. File No. 4936 & 4945

- Structures: Custom Stage Shelter and Custom Curved Arbors
- Owner: The James Foundation
Auburn, IN
- Design: Jones Petrie Rafinski
South Bend and Elkhart, IN
- Construction: Signature Construction by Mike Ley
Auburn, IN
- Sales: Parkreation, Inc.
Valparaiso, IN

Structures feature I-Beam columns with stainless steel Auburn logo covers over white Plexi-glass and internal LED lighting.

iconographytwo

4



5

(800) 748-0875
www.iconshelters.com

featured projects

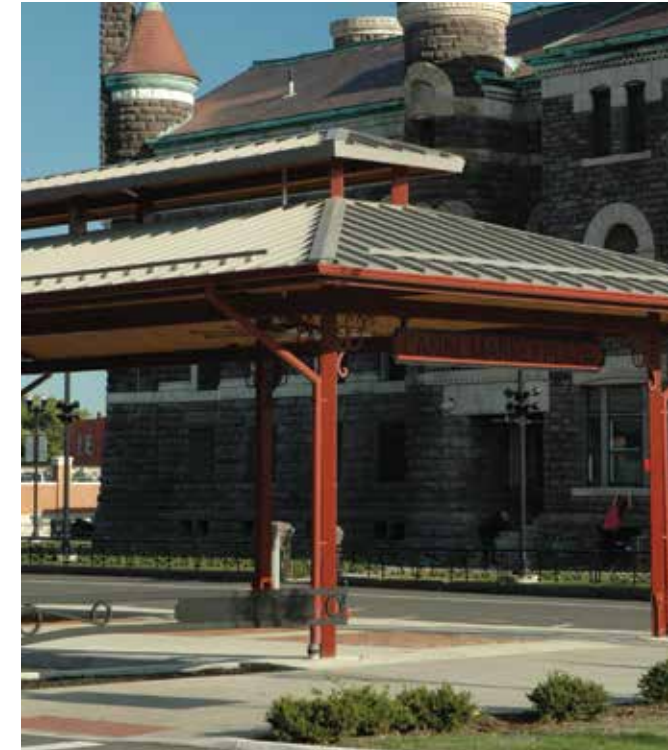


featured projects



iconographytwo

6



Canal Market Plaza
Newark, Ohio

Ref. File No. 4614 & 4615

- Structures: Custom Two-Tiered Rectangular Hipped Shelters
- Owner: The Evans Foundation
Newark, OH
- Design: Watchel & McAnally
Architects/Planners
Newark, OH
- Construction: Robertson Construction Services, Inc,
Heath, OH
- Sales: David Williams & Associates
Alliance, OH

Structures feature custom powder coat color, laser cut ornamentation and corbels, Slate Grey standing seam roofing over T&G, snow guards and custom signage.



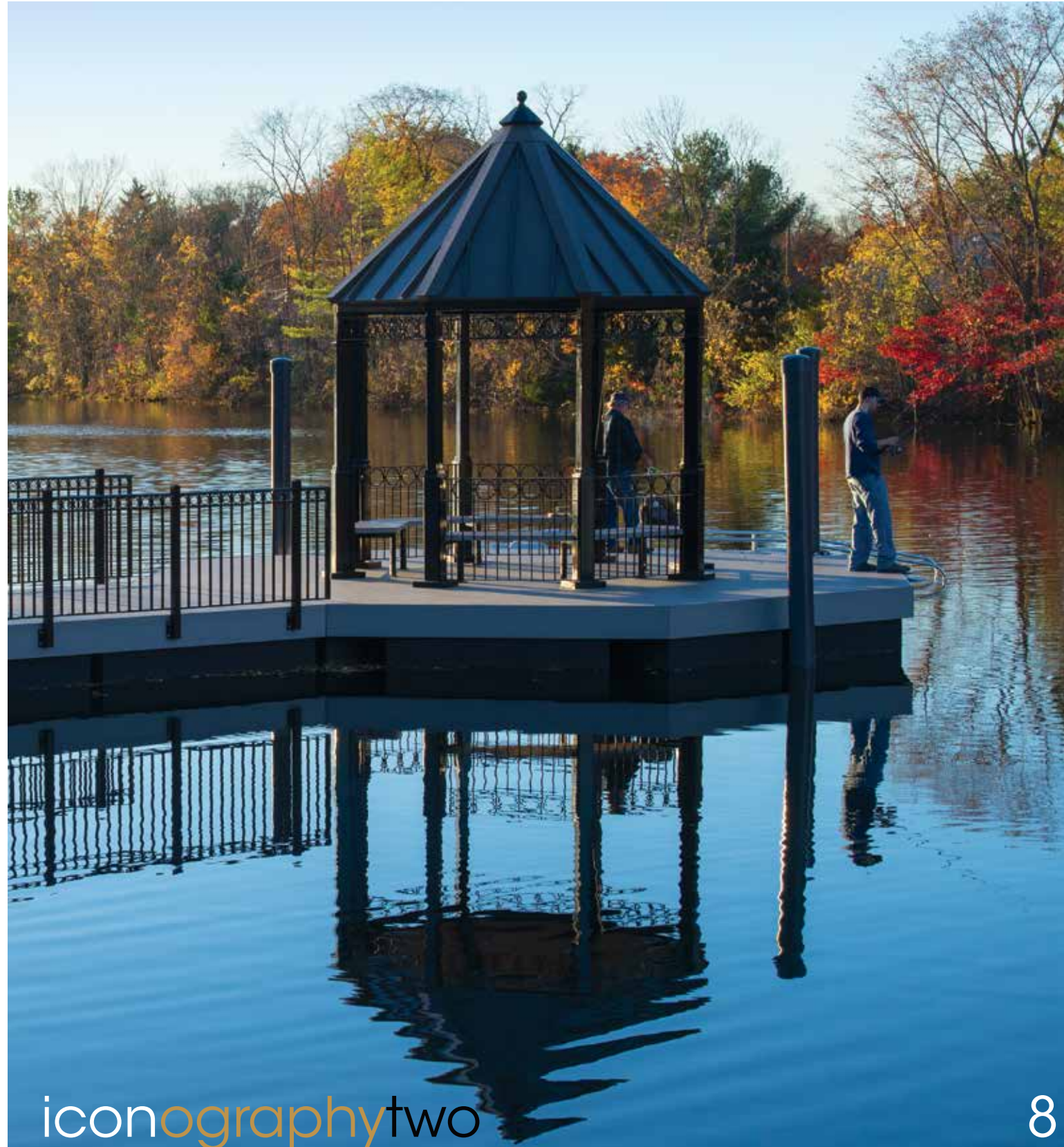
7

(800) 748-0875
www.iconshelters.com

featured projects



featured projects



iconographytwo

8



Columbus Park

Piscataway, New Jersey

Ref. File Nos. 4552, 4553 & 4554

Structures: RG24X28TS-P10, AT6X16K, EA10-P12, OC12TS-P12

Owner: Piscataway Township
Piscataway, NJ

Design: Henry Hinterstein Landscape Architect
Piscataway Township

Construction: LandTek Construction
Piscataway, NJ

Sales: Ben Shaffer Recreation
Lake Hopatcong, NJ



Mr. Hinterstein mixed and matched standard ICON structures with unique elements from various series, such as quad columns from the Craftsman series, and trusses from the Ironworks series. Combined with Township logo medallions on almond and black powder-coat finishes, he successfully created a signature look. The original worn, wooden gazebos on the fishing docks were replaced with steel ICON Octagons as part of major dock renovation project.



9

(800) 748-0875
www.iconshelters.com

featured projects



featured projects



*Dignity Memorial Gardens
Las Vegas, Nevada*

Ref. File No. 4470

- Structures: Custom Pagoda Structure
- Owner: Palm Mortuary Inc.
Las Vegas, NV
- Design: Clark & Green Associates
Landscape Architecture
Costa Mesa, CA
- Construction: Creative Play Recreation
Las Vegas, NV
- Sales: Creative Play Recreation
Las Vegas, NV

ICON fabricators were put to the test with the manufacturing of this curved roof structure to accent the Asian portion of the cemetery at Dignity Memorial Gardens.



iconographytwo

10

11

(800) 748-0875
www.iconshelters.com

featured projects



featured projects



*Coe Lake Park
Berea, Ohio*

Ref. File No. 4713

Structure: Custom Interval Shelter
CUSRECT30X70TA-P6

Owner: Berea Parks Department
Berea, OH

Design: CT Consultants
Mentor, CO

Construction: Zerbe Construction LLC
Mentor, OH

Sales: David Williams & Associates
Alliance, OH

Structure features stepped roof lines, gabled truss ends and custom site-built masonry.

iconographytwo

12

13

(800) 748-0875
www.iconshelters.com

featured projects



featured projects



*Event Shelter
Arapahoe County Fairgrounds
Aurora, Colorado
Ref. File No. 4599*

Structure: Custom Mono-Slope MC23X24Y-P4
Owner: Arapahoe County, CO
Design: Design Concepts Lafayette, CO
Construction: White Construction Castle Rock, CO
Sales: Recreation Plus, Ltd. Golden, CO



iconographytwo

14

15

(800) 748-0875
www.iconshelters.com

featured projects



featured projects



*Bicycle Storage Shelter
Chicago, Illinois
Ref. File No. 4308*

Structures: Custom Two-Tiered Rectangular Hipped Shelter
Owner: Riverside Plaza LLC Chicago, IL
Design: Fitzgerald Associates Chicago, IL
Sales: Parkreation, Inc. Prospect Heights, IL

Tempered glass clerestory and side wall panel enclosures.

iconographytwo

16

17

(800) 748-0875
www.iconshelters.com

craftsman
series™



craftsman
gables

CG20X40TS-P4, Tinley Park, IL
Ref. File No. 4404



Top of column detail on
CG20X50TS2C-P4
Riverside, CA
Ref. File No. 3286



Craftsman Series™ Rectangular Gable Shelters

- Sizes available: 16' - 52' in 1' increments
- Standard bay size: 20'-0"
- Roof pitch: 4/12
- Optional roof pitches: 5/12 - 12/12
- Roof decks: Mega-Rib, Multi-Rib, Standing Seam, 2x6 T&G
- Additional roofing: fiberglass shingles or sawn cedar shingles
- Options and Accessories: Page 27



CG22X32T-P4, Indian Trail, NC
Ref. File No. 4122



CG20X50TS2C-P4, Riverside, CA
Ref. File No. 3286



CG22X32M-P4, Eureka, MO
Ref. File No. 3310

iconographytwo

18

19

(800) 748-0875
www.iconshelters.com

craftsman
series™



craftsman
squares

CQ20S-P6, Omaha, NE
Ref. File No. 2930



iconographytwo

20



CQ14TM-P6, Oakville, ON
Ref. File No. 3030



CQ26M-P6, Mississauga, ON
Ref. File No. 3768



CQ30M-P6, Arvada, CO
Ref. File No. 3354

Craftsman Series™ Square Shelters

- Sizes available: 16' - 72' in 1' increments
- Roof pitch: 6/12
- Optional roof pitches: 4/12 - 12/12
- Roof decks: Mega-Rib, Multi-Rib, Standing Seam, 2x6 T&G
- Additional roofing: fiberglass shingles or sawn cedar shingles
- Options and Accessories: Page 27



21

(800) 748-0875
www.iconshelters.com

craftsman
series™



craftsman
hexagons



CX16M-P5, Vaughan, ON
Ref. File No. 2955

iconographytwo

22



CX24TS-P5, Sunrise, FL
Ref. File No. 2253

Craftsman Series™ Hexagon Shelters

- Sizes available: 16' - 72' in 1' increments
- Roof pitch: 5/12
- Optional roof pitches: 3/12 - 12/12
- Roof decks: Mega-Rib, Multi-Rib, Standing Seam, 2x6 T&G
- Additional roofing: fiberglass shingles or sawn cedar shingles
- Options and Accessories: Page 27



CX30M-P5, Richmond, MI
Ref. File No. 2266

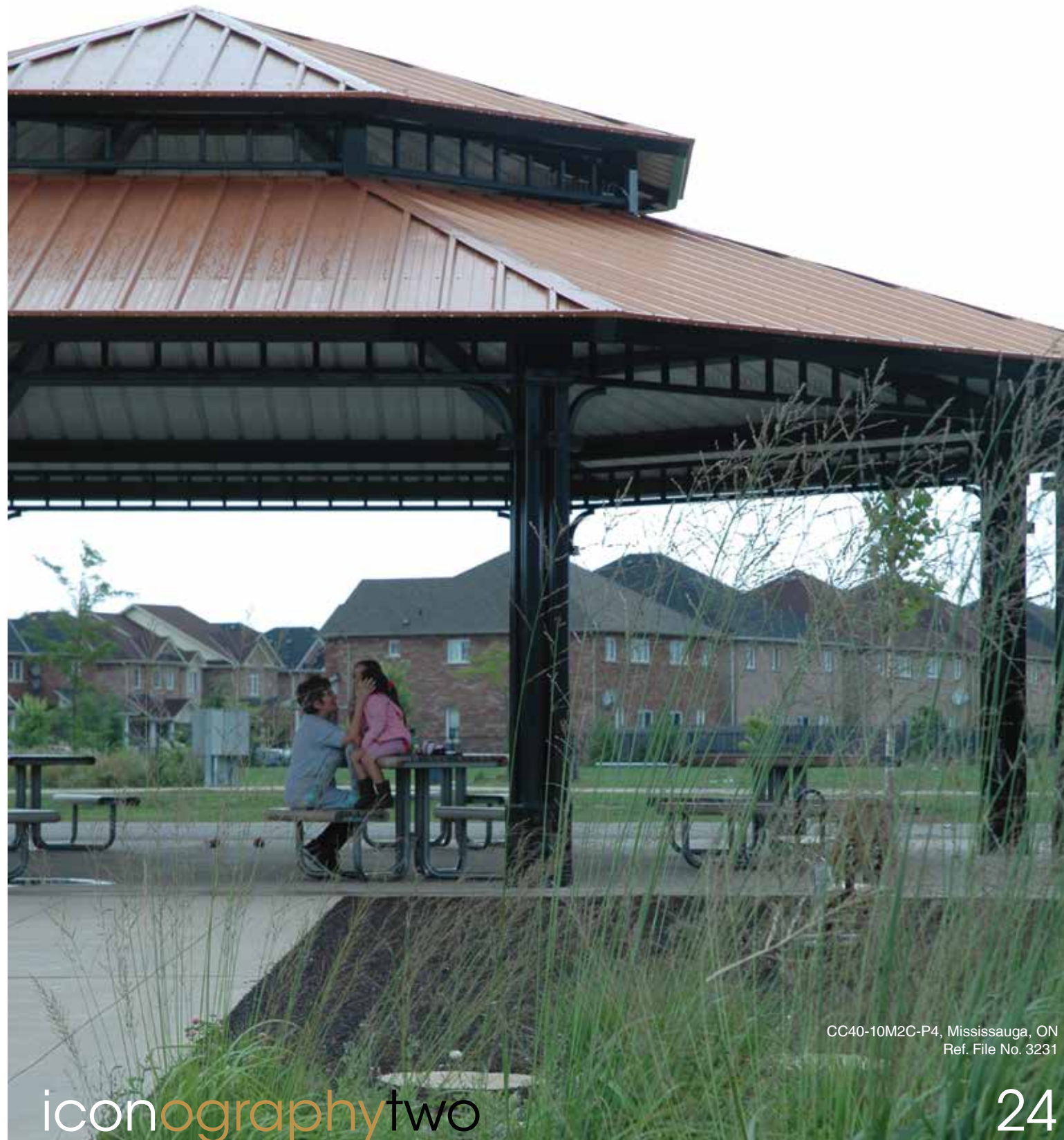
23

(800) 748-0875
www.iconshelters.com

craftsman
series™



craftsman
octagons



CC40-10M2C-P4, Mississauga, ON
Ref. File No. 3231

iconographytwo

24



CC40-10M2C-P4, Mississauga, ON
Ref. File No. 3231



CC34M2C-P4, Brick, NJ
Ref. File No. 2552

*Craftsman Series™
Octagon Shelters*

Sizes available: 16' - 72' in 1' increments

Roof pitch: 4/12

Optional roof pitches: 5/12 - 6/12

Roof decks: Mega-Rib, Multi-Rib,
Standing Seam, 2x6 T&G

Additional roofing: Fiberglass Shingles or Sawn
Cedar Shingles

Options and Accessories: Page 27



**CRAFTSMAN
SERIES**



CC38S2C-P4, Lancaster, CA
Ref. File No. 3081

25

(800) 748-0875
www.iconshelters.com

craftsman dutch hip



craftsman barrel vault



craftsman options

Craftsman Series™ Dutch Hip Shelters

Sizes available: 12' - 52' in
1' increments

Roof decks: Mega-Rib, Multi-Rib, T&G,
Standing Seam

Standard bay size: 20'-0"

Roof pitch: 4/12



Dutch Hip with CC4 Columns



Dutch Hip with CC2 Columns

Craftsman Series™ Barrel Vault Shelters

Sizes available: 12' - 52' in 3' increments

Roof decks: Mega-Rib

Standard bay size: 20'-0"

Roof radius: Min. 10'-0"



BV20X30G, Hobbs, NM
Ref. File No. 3169

iconography TWO

26

I-Rock GFRC Faux Stone Bases

ICON developed a pre-cast faux stone base to simulate stacked ledgerrock piers. Cast in two sections of glass-fiber reinforced concrete and joined together on-site, I-Rock eliminates the need to have a stone mason custom build piers. See illustration below for installation.



I-Rock Base A-TT



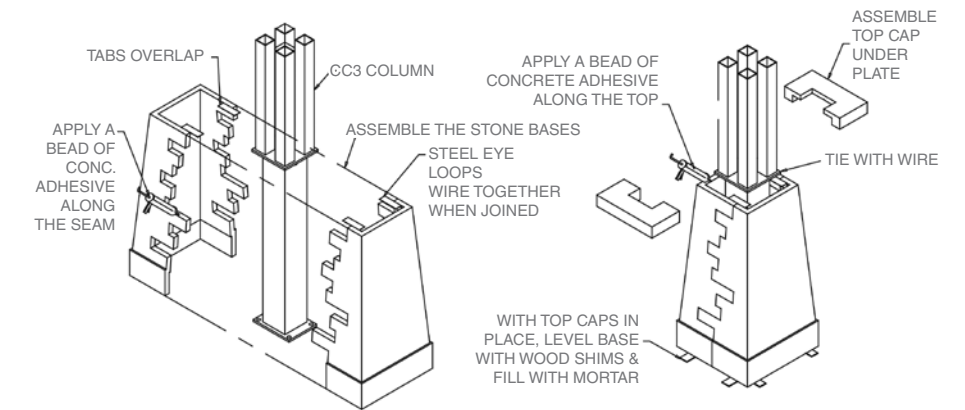
I-Rock A-TT
Raw Sienna, Burnt
Sienna & Ochre
Ledgerrock Finish



I-Rock B-TT-F
Grey with Red Iron Oxide
Ledgerrock Finish



I-Rock C-TT
Raw Umber, Raw Sienna
and Grey
Ledgerrock Finish



Ornamentation

For eaves and clerestory



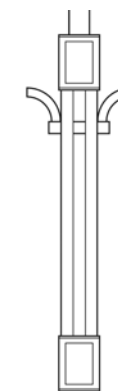
Open Pane Ornament



Simulated Leaded Glass Ornament

Columns

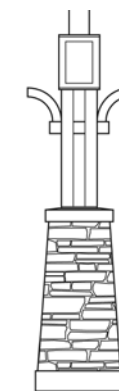
Optional columns may require some masonry field work.



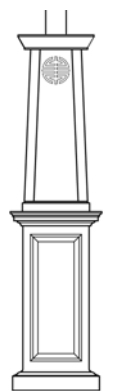
CC1
All
Steel



CC2
All
Steel



CC3
w/
Optional
I-Rock



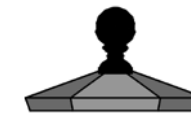
CC4
Steel &
Precast

Peak Treatments

ICON cupolas or a finial peak cap are available to finish the peaks.



Framed Cupola



Finial Cap

27

industry
standard
shelters



square
shelters



SQ14M-P6, Logan Park, El Paso, TX
Ref. File No. 4916

iconographytwo

28



(7) SQ34M-P6, Rotella Park, Aurora, CO, Ref. File No. 4354



SQ15M-P6, The Grove, Aurora, CO, Ref. File No. 4478

Square Shelters

Sizes available: 12' - 60' in 1' increments

Roof pitch: 6/12

Optional roof pitches: 4/12 - 12/12

Roof decks: Mega-Rib, Multi-Rib, T&G, Standing Seam

Additional roofing: Fiberglass Shingles or Sawn Cedar Shingles

Options and Accessories: Page 77



SQ16M-P6, Larson Park, Aurora, CO, Ref. File No. 4799



SQ16TM2V-P6, Round Rock, TX, Ref. File No. 4645

29

(800) 748-0875
www.iconshelters.com

industry
standard
shelters



hexagon
shelters



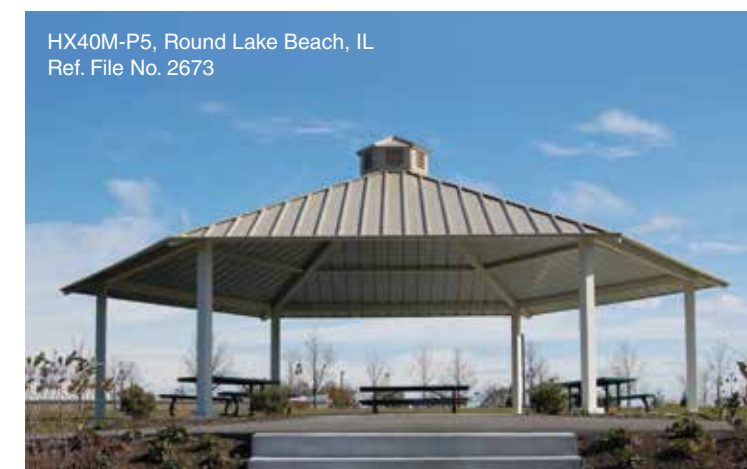
HX36M-P6, El Paso, TX
Ref. File No. 4178

iconographytwo

30

Hexagon Shelters

- Sizes available: 12' - 72' in 1' increments
- Roof pitch: 4/12
- Optional roof pitches: 3/12 - 12/12
- Roof decks: Mega-Rib, Multi-Rib, Standing Seam, 2x6 T&G
- Additional roofing: Fiberglass Shingles or Sawn Cedar Shingles
- Options and Accessories: Page 77



HX40M-P5, Round Lake Beach, IL
Ref. File No. 2673



HX39S-P4, Tulare, CA
Ref. File No. 2807



HX31TM2C-P8, Decatur, IL
Ref. File No. 2810

31



HX27M2C-P8, Estero, FL
Ref. File No. 1760-1762

(800) 748-0875
www.iconshelters.com

industry
standard
shelters



octagon
shelters

Octagon Shelters

Sizes available: 16' - 72' in 1' increments

Roof pitch: 6/12

Optional roof pitches: 3/12 - 12/12

Roof decks: Mega-Rib, Multi-Rib, Standing Seam, 2x6 T&G

Additional roofing: Fiberglass Shingles or Sawn Cedar Shingles

Options and Accessories: Page 77



OC65PS2C-P6, Fort Wayne, IN
Ref. File No. 2733



OC20TM-P6, New Lenox, IL
Ref. File No. 2390



OC36TM2C-P6, St. Charles, IL
Ref. File No. 3331



OC28TS-P6, Grand Rapids, MI
Ref. File No. 1862



OC20S-P4, Macatawa, MI
Ref. File No. 2858



OC26TA2C-P6, Glencoe, IL
Ref. File No. 5029

iconographytwo

32

33

(800) 748-0875
www.iconshelters.com

industry
standard
shelters



rectangular
gable
shelters



RG18X30TM-P10, Elk River, MN
Ref. File No. 1886

iconographytwo

34

Gable Shelters

Sizes available: 16' - 72' in 1' increments

Standard bay spacing: 20'-0"

Roof pitch: 4/12

Optional roof pitches: 5/12 - 12/12

Roof decks: Mega-Rib, Multi-Rib, Standing Seam, 2x6 T&G

Additional roofing: Fiberglass or Sawn Cedar Shingles

Options and Accessories: Page 77



RG16X20M2C-P5, Ottawa, ON
Ref. File No. 4016



RG20X40TS-P6, Grapevine, TX
Ref. File No. 3897



RG52X75M-P4, El Paso, TX
Ref. File No. 1862

35



RG40X90TM2C-P6, Columbus, NJ
Ref. File No. 4526

(800) 748-0875
www.iconshelters.com

industry
standard
shelters



rectangular
hip
shelters

RH30X44M-P4-P6, Las Vegas, NV, NJ
Ref. File No. 3282



iconographytwo

36



RH20X40M-P4, Colorado Springs, CO
Ref. File No. 4094



RH15X25M-P4, Denver, CO
Ref. File No. 4624



RH20X30M-P4, AVON PARK, FL
Ref. File No. 2022



RH30X84TS2C-P5, Punta Gorda, FL
Ref. File No. 2770

37

Hip Shelters

- Sizes available: 12' - 72' in 1' increments
- Standard bay spacing: 20'-0"
- Roof pitch: 4/12
- Optional roof pitches: 5/12 - 12/12
- Roof decks: Mega-Rib, Multi-Rib, Standing Seam, 2x6 T&G
- Additional roofing: Fiberglass Shingles or Sawn Cedar Shingles
- Options and Accessories: Page 77

(800) 748-0875
www.iconshelters.com

industry
standard
shelters



barrel
vault
shelters



BV20X21G-P5, Henderson, NV
Ref. File No. 4291

iconographytwo

38



BV15X15G, Naples, FL
Ref. File No. 2066

39

Barrel Vault Shelters

Sizes available: 12' - 52' in 3' increments
Standard bay size: 20'-0"
Standard roof radius: 10'-0"
Roof decks: Mega-Rib
Options and Accessories: Page 77



BV52X60G, Lancaster, CA
Ref. File No. 2309



BV25X36G, Albuquerque, NM
Ref. File No. 2431

(800) 748-0875
www.iconshelters.com

industry
standard
shelters



interval
shelters



RECTANGULAR
IN16X28S-P10, Brownsburg, IN
Ref. File No. 4595

iconographytwo

40



NESTED
IN34X48-P12, Corona, CA
Ref. File No. 3455



DETAIL on IN14M-P14
Blaine, MN
Ref. File No. 1949

41



SQUARE
IN20X20M-P12, Green
Ref. File No. 4025

*Interval™ Square, Rectangular and
Nested Shelters*

- Sizes available: 12' - 40' in 1' increments
- Roof pitch: 12/12
- Optional roof pitches: 8/12 - 11/12
- Roof decks: Mega-Rib, Multi-Rib, Standing Seam, 2x6 T&G
- Additional roofing: Fiberglass Shingles or Sawn Cedar Shingles
- Options and Accessories: Page 77

(800) 748-0875
www.iconshelters.com

stretched shelters



dual-pitched shelters

Stretched Shelters

Any polygonal shelter with an even number of sides can be stretched into an elongated shape.

Sizes available: Same as standard hexagons, octagons, decagons and dodecagons

Standard max. bay size: 20'-0"

Roof pitch: Varies

Optional roof pitches: 4/12 - 12/12

Roof decks: Mega-Rib, Multi-Rib, Standing Seam, 2x6 T&G

Additional roofing: Fiberglass Shingles or Sawn Cedar Shingles

Options and Accessories: Page 77



iconographytwo

42

Dual-Pitched Gable Shelters

Sizes available: 16' - 72' in 1' increments

Standard max. bay size: 20'-0"

Roof pitch: 4/12 & 6/12, 6/12 & 8/12 or 8/12 & 10/12

Roof decks: Mega-Rib, Multi-Rib, Standing Seam, 2x6 T&G

Additional roofing: Fiberglass or Sawn Cedar Shingles

Options and Accessories: Page 77



43

(800) 748-0875
www.iconshelters.com

amphitheater shelters and band shells



decagons and dodecagons



BX44TM-P6, Weatherford, TX
Ref. File No. 4489

Amphitheater Shelters/Band Shells

ICON has produced a number of band shell structures and amphitheater stage shelters. Half-hexagons (as shown above), octagons and barrel vaults have been popular, as well as gables and full barrel vaults (shown below).

ICON can enclose or partially enclose a structure to create storage rooms, dressing rooms or restrooms.



RG15X40T-P0, Lake Villa, IL
Ref. File No. 4931



BX32X32T6-P4, Hewitt, TX
Ref. File No. 4515



DO65M2C-P6, SAN JOSE, CA
Ref. File No. 2048

Decagons and Dodecagons

Sizes available: 40' to 108' in 1' increments

Roof pitch: 6/12

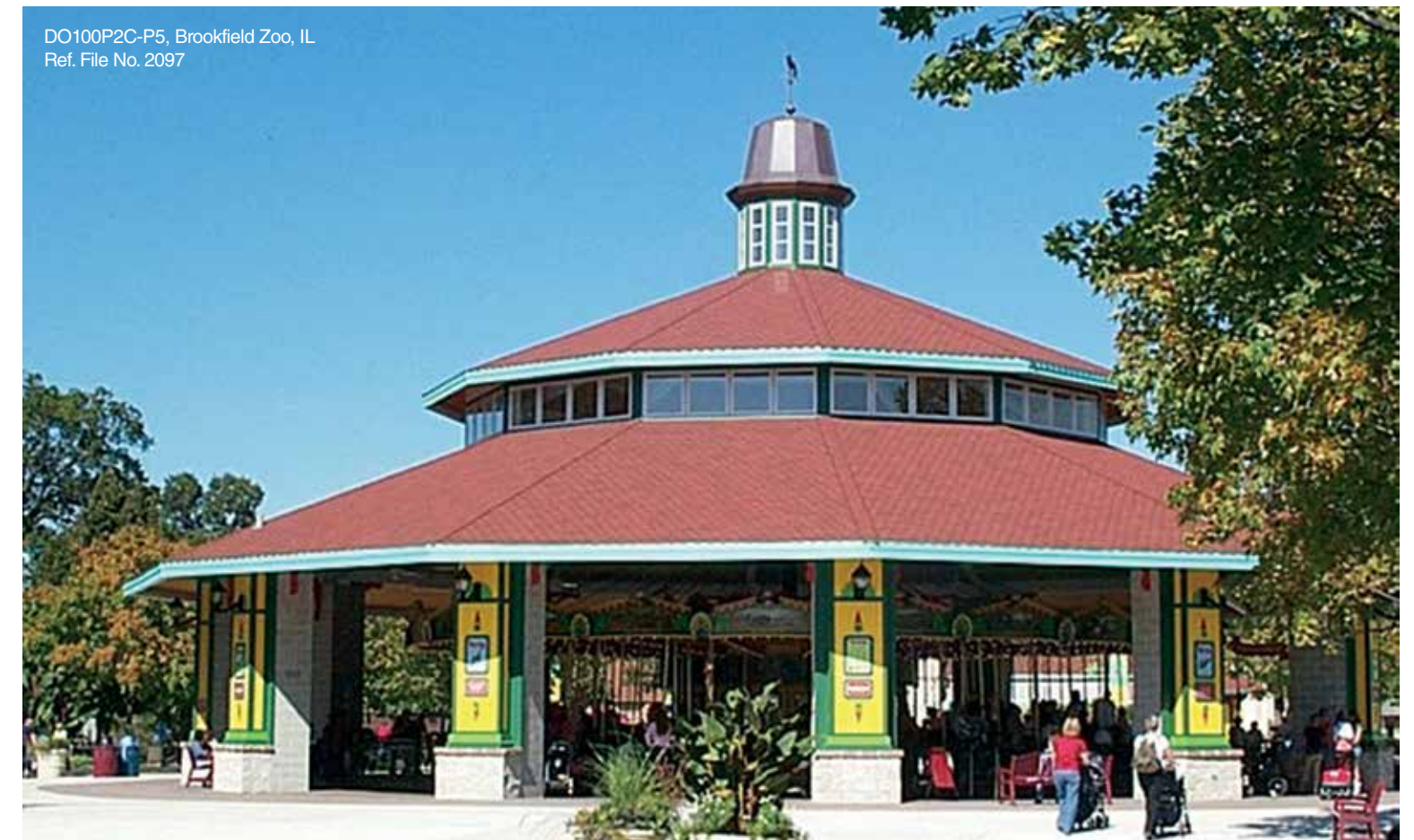
Optional roof pitches: 4/12 to 12/12

Roof decks: Mega-Rib, Multi-Rib, Standing Seam, 2X6 T&G, SIP Panels

Additional roofing: Fiberglass or Sawn Cedar Shingles

Cedar Shingles

Options and Accessories: Page 77



DO100P2C-P5, Brookfield Zoo, IL
Ref. File No. 2097

mono-slopes



inverted gables

MC15X22M-P3, El Paso, TX
Ref. File No. 4177



MC12X12M-P2.6, Henderson, NV
Ref. File No. 4387



RG16.33X37M-P2, Henderson, NV
Ref. File No. 4386



Inverted Gables

- Sizes available: 12' - 24' in 1' increments
- Roof pitch: 6/12
- Optional roof pitches: 4/12 - 12/12
- Roof decks: Mega-Rib, Multi-Rib, T&G, Standing Seam
- Additional roofing: Fiberglass Shingles or Sawn Cedar Shingles
- Options and Accessories: Page 77

iconographytwo

46

47

(800) 748-0875
www.iconshelters.com

icon
originals



vista™ series
shelters



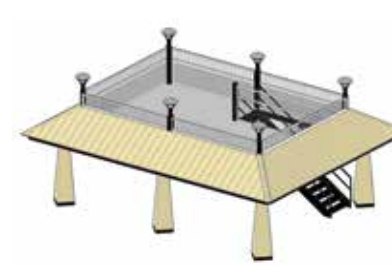
VQ22M-P8, Grapevine, TX
Ref. File No. 3749

iconographytwo

48



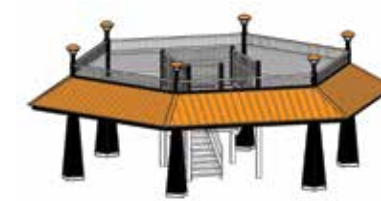
The Vista Series™ Shelters offer shade with an elevated view. Upper levels on the larger shelters can be used for special functions, event viewing and scenic overlooks.



VH26X38M-P8
with straight run stair



VG22X38M-P8
with straight run stair



VX45M-P8
with U-turn stair



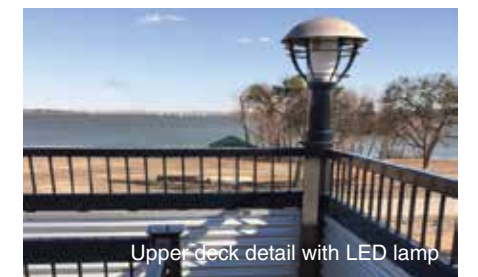
VC45M-P5
with U-turn stair



Column detail



VQ22M-P8, Grapevine, TX
with circular stair



Upper deck detail with LED lamp

49

(800) 748-0875
www.iconshelters.com

icon
originals



IRONWORKS

IRONWORKS



ironworks™
shelters &
furnishings



Bench and Coffee Table



Fire Pit and Bar Stools

IRONWORKS

- I-Beams
- Heavy Wood Timbers
- Rivets
- Exposed Fasteners
- Rod and Clevis
- Cross-Bracing

- Shelters
- Site Furnishings

Retro-Industrial Cool
See more product in the
IRONWORKS catalog.

iconographytwo

50



IG20X30TM-P10, Charlotte, NC
Ref. File No. 4377

Ironworks™ Shelters

IRONWORKS™ was introduced in the fall of 2014 at the NRPA in Charlotte, NC. Heavy I-beam columns with rivet plates, exposed fasteners, laminated wood rafters with connection plates and rod and clevis ties make for a retro-industrial look that fits well in urban areas where old industrial lands are reclaimed for use as public parks.

See the complete IRONWORKS™ catalog for shelters and site furnishings.



IG35X25TS-P8, Rockwall, TX
Ref. File No. 5070

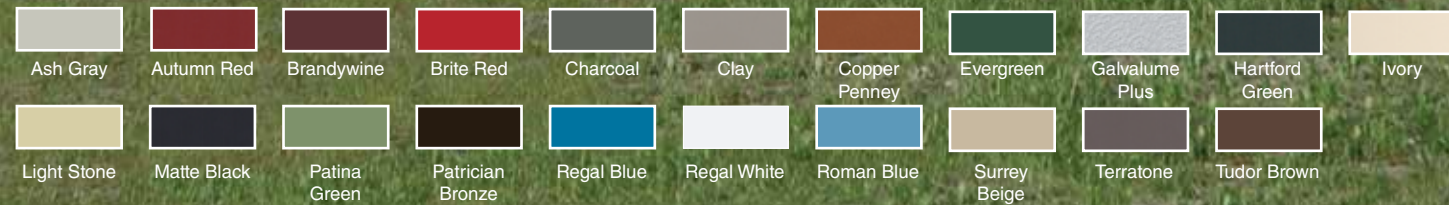
51

(800) 748-0875
www.iconshelters.com

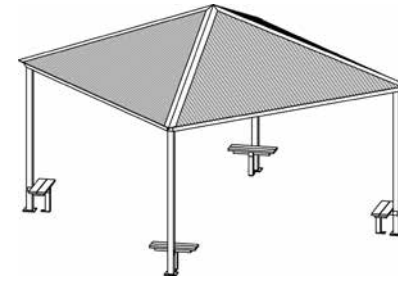


TSG8Y-P4
Ref. File No. 3722

Trail Series™ Roof Colors



Square (TSQ)



TSQ15Y-P6

Sizes: 10', 11', 12', 13', 14', 15'
Roof pitch: 6/12
Roof deck: Multi-Cor
Optional: Corner Benches

Monoslope "T" (TMT)



TMT6X8-P2 with Single Steel Bench

Size: 6' x 8'
Roof pitch: 2/12
Roof deck: Multi-Cor
Optional: Steel Bench

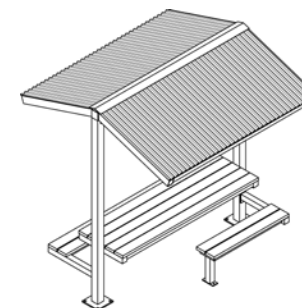
Single Post Square (TSS)



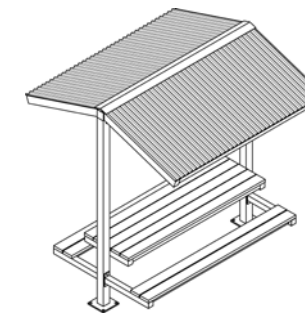
TSS8-P6 with Seat

Size: 8' x 8'
Roof pitch: 6/12
Roof deck: Multi-Cor
Optional: Bench or Table

Gable Shelters (TSG)

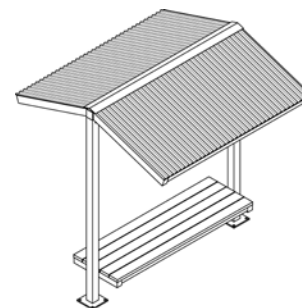


TSG8-P4 with ADA Table

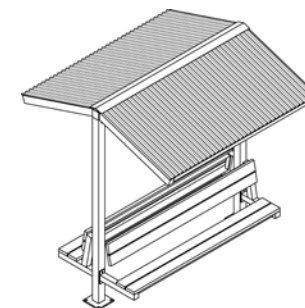


TSG8-P4 with Standard Table

Size: 8' x 8'
Roof pitch: 6/12
Roof deck: Multi-Cor
Optional: Bench or Table



TSG8-P4 with Flat Bench



TSG8-P4 with Double Bench



icon
originals



liveshade™
shelters



LX30TU2C-P5, Cicero, IL
Ref. File No. 4812

iconographytwo

54



LG20X20TS2C-P4, Oakbrook Terrace, IL
Ref. File No. 3961

LiveShade™

LiveShade™ combines green roof product with ICON's attractive steel structures to create a cool and attractive shade space. ICON's engineered roof fascia is designed to work with the LiveRoof® modular green roof system, which is available throughout many locations in the United States. A LiveRoof® producer in your region assures that you will receive plant products that have been grown for your zone.

It is the owner's responsibility to care for and maintain the live plant material.



LG16X16TU-P4, Olympia Fields, IL
Ref. File No. 2983



LY20X20QU, Lisle, IL
Ref. File No. 3235

55

(800) 748-0875
www.iconshelters.com



CY16S-P8/6, Ottawa, ON
Ref. File No. 2821



CM20M-P10, Union, KY
Ref. File No. 2396

CAMDEN GAZEBOS

Sizes available: 12' - 36' in 1' increments
Roof pitch: 10/12 to 29'; 8/12 to 36'
Options and accessories: Page 77



CY20TS-P8, Keller, TX
Ref. File No. 2014

COURTYARD GAZEBOS

Sizes available: 16' - 60' in 1' increments
Roof pitch: 8/12 & 6/12 to 24'; 6/12 & 4/12 to 36'
Options and accessories: Pages 77



NP18M-P10, Orland Park, IL
Ref. File No. 2300

NEWPORT GAZEBOS

Sizes available: 12' - 36' in 1' increments
Roof pitch: 10/12 to 29'; 8/12 to 36'
Options and accessories: Pages 77



MY16TM-P48, Bloomfield, CT
Ref. File No. 2399

MYSTIC GAZEBOS

Sizes available: 16' - 60' in 1' increments
Roof pitch: 8/12 & 6/12 to 24'; 6/12 & 4/12 to 36'
Options and accessories: Page 77

partial
shade
shelters



partial
shade
shelters

AS14X14K, Aurora, CO
Ref. File No. 4476



iconographytwo

58



AT8X38K and AT8X66K, Oakdale, CA
Ref. File No. 4609 and 4608



AR14X54K, Markham, ON
Ref. File No. 4530



BV20X84G, Indian River, NC
Ref. File No. 4123

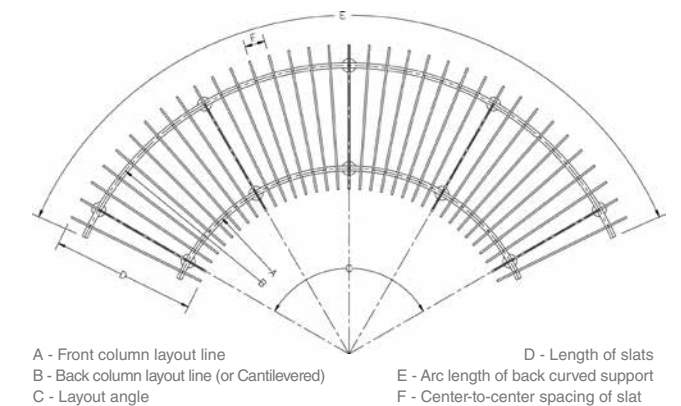
59

Arbors

Curved and straight open slat shelters are custom designed to fit a specific design. The required dimensions for a curved arbor are given below.

Arbors can be fitted with a retractable fabric canopy to provide additional shade as necessary.

Curved slats are available in 2x2, 2x3, 2x4, 2x6, 3x3 and 4x4. Straight slats are available, in addition to the above sizes, in 2x8, 2x10 and 2x12.



Solumbra™

Unique shadows are cast on the pavement below the Solumbra™ shelter. The roof panels are custom designed, laser-cut and powder coated for attachment to any shelter style or size.

The most popular designs are floral patterns and leaves.

(800) 748-0875
www.iconshelters.com

clock towers



clocks kiosks



TH9M2C-5, Cornelius, NC
Ref. File No. 3070



TH7M-P12, Oakwood, GA
Ref. File No. 2241



TH8S2C-P4, Piscataway, NJ
Ref. File No. 2510



TH12Z-P10, Wheeling, IL
Ref. File No. 3812

iconographytwo

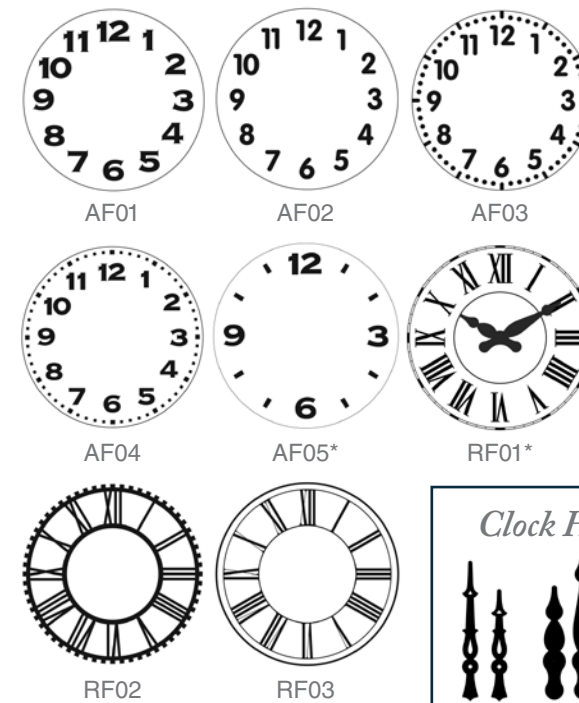
60

Post Clocks



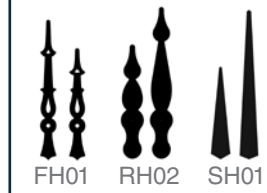
PC1 with double sided clock
PC2 with double sided clock
PC3 with four sided clock
PC4 with four clocks

Clock Faces



* Indicates most popular face styles

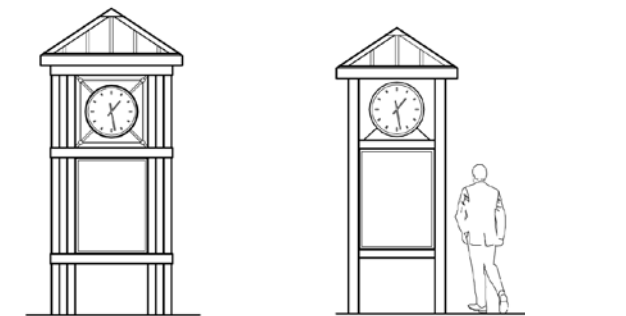
Clock Hands



Kiosk Clocks



KH5M-P8 four sided kiosk with four display cases and four 30" clocks



KH6M-P8 with (4) Clocks & Display Cases
KH5M-P8 Kiosk with double-sided Clock and Display Case

Clock sizes: 24", 30", 36", 42", 48" & 60"
Illumination: Back-lit or non-illuminated
Time Control: Automatic synchronization with or without GPS control
Power: 120V/220V ac or 7-year Lithium Battery for non-illuminated clocks only

61

(800) 748-0875
www.iconshelters.com

en route™
terminal shelters



en route™
transit shelters

HX23S-P8, Canby Transit Center
Canby, OR
Ref. File No. 1890



iconographytwo

62



UB5X15 TRANSIT, Kansas City, MO
Ref. File No. 4045

*En Route™
Bus Line Shelters*

Steel bus line shelters by ICON offer a more durable, longer lasting permanent enclosure than traditional aluminum shelters. Fully or partially enclosed, En Route shelters can be accessorized with solar powered or direct wired lighting, display cases, infra-red heaters, doors, benches, logos and signage.



UB8X16G, Glendale, CO
Ref. File No. 3338



US7X12G, Cullowhee, NC
Ref. File No. 2661



RG8.5X11S-P10, Tulare, CA
Ref. File No. 2822



UB10X30G, Allentown, PA
Ref. File No. 2408

63

(800) 748-0875
www.iconshelters.com



Open Bicycle Rack Shelter
SG15.5X37.8M-P4, Clovis, CA
Ref. File No. 4251



Interior of Enclosed Bicycle Shelter
RH11X40M2C-P4, Chicago, IL
Ref. File No. 4308



Enclosed Bicycle Shelter
RH11X40M2C-P4, Chicago, IL
Ref. File No. 4308



Bicycle Garage and Passenger Waiting Facility
Ref. File No. F0007



Interior Passenger Waiting Facility
Ref. File No. F007



ICON Ride™ is a line of shelters, enclosed structures and accessories designed for bicycle riders.

Shelters with attached or free-standing bicycle racks are available in many styles and sizes, with or without wall enclosures.

Free-standing bicycle racks offer either horizontal or vertical storage, and bicycle storage lockers have two sides to offer double the storage in one space.



BikeBox™
Ref. File No. F0003



Horizontal Bicycle Rack
Ref. File No. F0020



Vertical Bicycle Rack
Ref. File No. F0018

athletic field shelters



athletic field shelters

MC29X106M-P3, Round Rock, TX
Ref. File No. 2656



iconography two

66



MC12X35M-P2, Kearney, NE
Ref. File No. 4924



MC9X84S-P2.5, St. Louis, MO
Ref. File No. 3447



MP8X30TM-P3, Round Rock, TX
Ref. File No. 2061



MP10X30M-P4, Sebring, FL
Ref. File No. 2405

67

(800) 748-0875
www.iconshelters.com

entry
arches



entry
arches



EA12, Flick Park, Glenview, IL
Ref. File No. 4782

iconographytwo

68



EA11, Williams, CA
Ref. File No. 274

Custom and standard entrance arches with identifying names and logos in a variety of styles and sizes are available to mark the entrance to your park, exhibit or walkway.

Sizes available: 8' - 30' in 1' increments

Arch pitch: Flat to 12/12

Options and accessories: Curved arches, laser-cut medallions, color vinyl medallions, custom laser-cut arches, laser-cut lettering, custom shapes and sizes



Moongate, Malden, MA
Ref. File No. 2756



EA10, Woodstock, IL
Ref. File No. 2298



EA10-P6, Orland Park, IL
Ref. File No. 3938



EA10, Orland Park, IL
Ref. File No. 2301

69

(800) 748-0875
www.iconshelters.com

umbrella
shelters



pedestrian
bridges

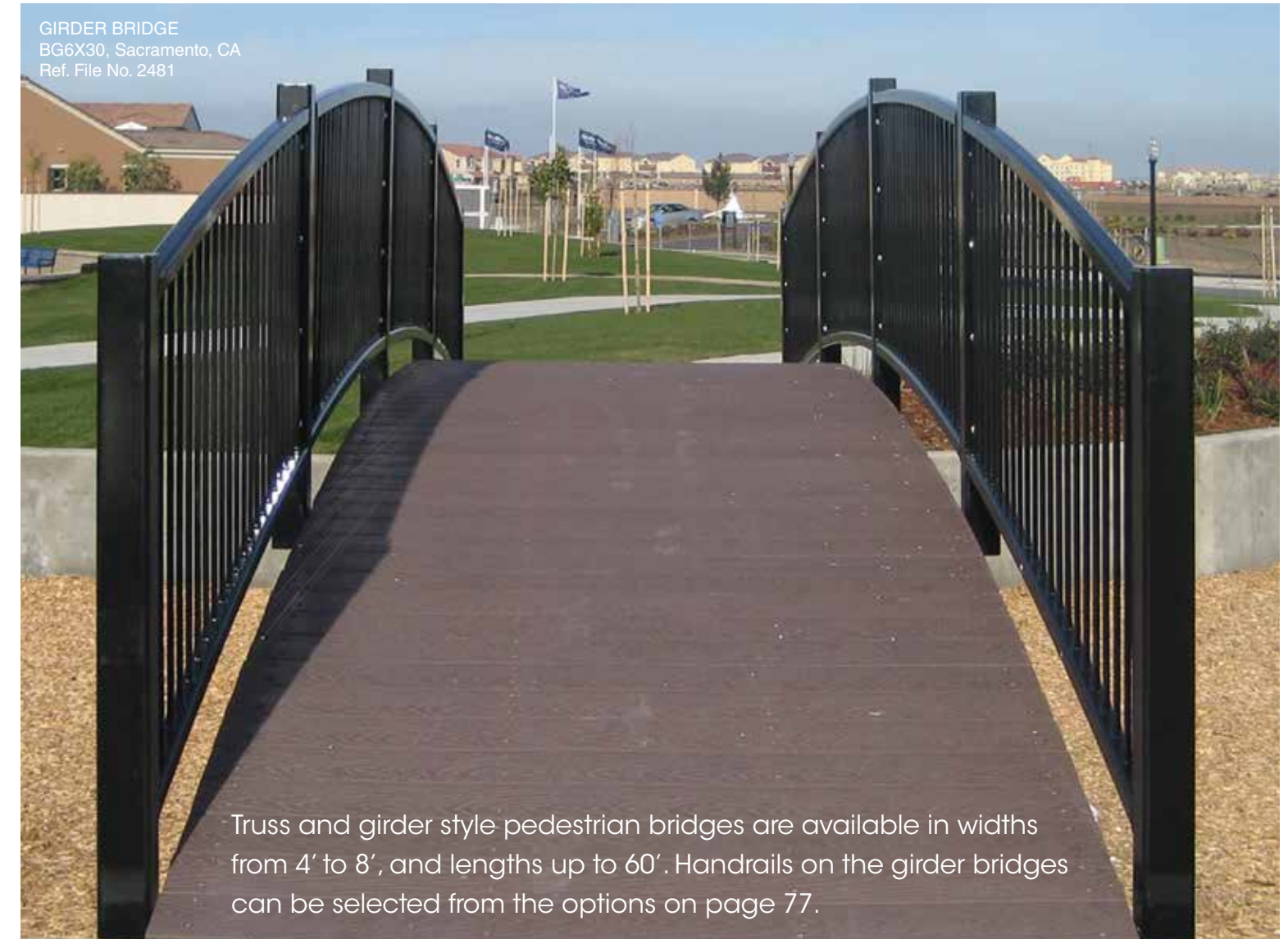


Umbrella Shelters

Sizes available: 8' - 30' in 1' increments
Roof pitch: 6/12
Optional roof pitches: 3/12 - 5/12
Roof decks: Mega-Rib, Multi-Rib, Standing Seam, 2x6 T&G
Additional roofing: Fiberglass Shingles or Sawn Cedar Shingles
Options & accessories: Page 77

iconographytwo

70



GIRDER BRIDGE
BG6X30, Sacramento, CA
Ref. File No. 2481

Truss and girder style pedestrian bridges are available in widths from 4' to 8', and lengths up to 60'. Handrails on the girder bridges can be selected from the options on page 77.



GIRDER BRIDGE
BG4X25W, Katy, TX
Ref. File No. 2838



TRUSS BRIDGE
BT8X50, Washington, UT
Ref. File No. 2415

71

(800) 748-0875
www.iconshelters.com

porta-potty
enclosures



mailbox
shelters



RG10X10M-P4 with Recycled Plastic Plank Sides
Wildgrass, CO, Ref. File No. 4660

Enclosures for portable toilets are made by adding wall panels to a small shelter of any kind.

The walls can be recycled plastic planks, 2X6 Pine T&G, Lexan™, or any kind of mesh or perforated steel screen.



MP9X9Z-P4, Corten Roof and Steel Mesh Panels
Arvada, CO, Ref. File No. 3553

iconographytwo

72



RG30X44S2C-P4, Buda, TX
Ref. File No. 3336



RG8X8M-P9, Havelock, NC
Ref. File No. 2997



SQ30TM-P4 Custom, West Fargo, ND
Ref. File No. 4043

Many ICON shelters can be fitted with manufactured mail delivery systems for use in residential or commercial developments.

Standard shelters with field installed mailbox units are common, however, ICON has also manufactured custom structures to the designer's specifications.



RH14X24T-P4, Myrtle Beach, NC
Ref. File No. 2669

73

(800) 748-0875
www.iconshelters.com

message
shelters



mini
shade



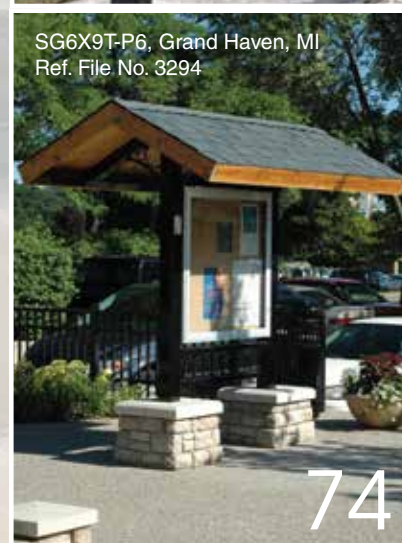
RH5X10M-P6, Woodridge, IL
Ref. File No. 2968



TO5.6T-P6, Grand Haven, MI
Ref. File No. 3401



SIGN/DISPLAY-Brick, NJ
Ref. File No. 3852



SG6X9T-P6, Grand Haven, MI
Ref. File No. 3294

Kiosks, Triosks and Display Shelters are fitted with display cases for outdoor use. The weather-resistant display cases can be single or double sided. The doors have full length hinges and locks.

iconographytwo

74



SH12M-P6, Clayton, CA
Ref. File No. 2676



SG10M-P4, Cape Coral, FL
Ref. File No. 1989

SG & SH Mini-Shade Shelters

Two-column gabled and hipped square shelters to provide shade in smaller areas, or grouped for individual seating in larger spaces.

Sizes available: 6' x 6', 7' x 7', 8' x 8', 9' x 9', 10' x 10', 11' x 11' & 12' x 12'

Roof pitch: 4/12 to 12/12

Roof decks: Mega-Rib, Multi-Rib, Standing Seam, 2x6 T&G, SIPS

Options & Accessories: Picnic tables, benches display cases, windscreens and other options listed on page 77

Optional Sizes: available as rectangular, two-column shelters

75

(800) 748-0875
www.iconshelters.com

options and accessories



options and accessories

Vented & Clerestory Multiple Roof Tiers

Most ICON Industry Standard Shelters are available in multiple roof tier configurations. Two tiers are available on all shelters. Three tiers are available on shelters over 24'. The photos show the difference between the vented roof option and the clerestory roof option. Clerestory offers the room to install ornamental rails or louvered vent closures.

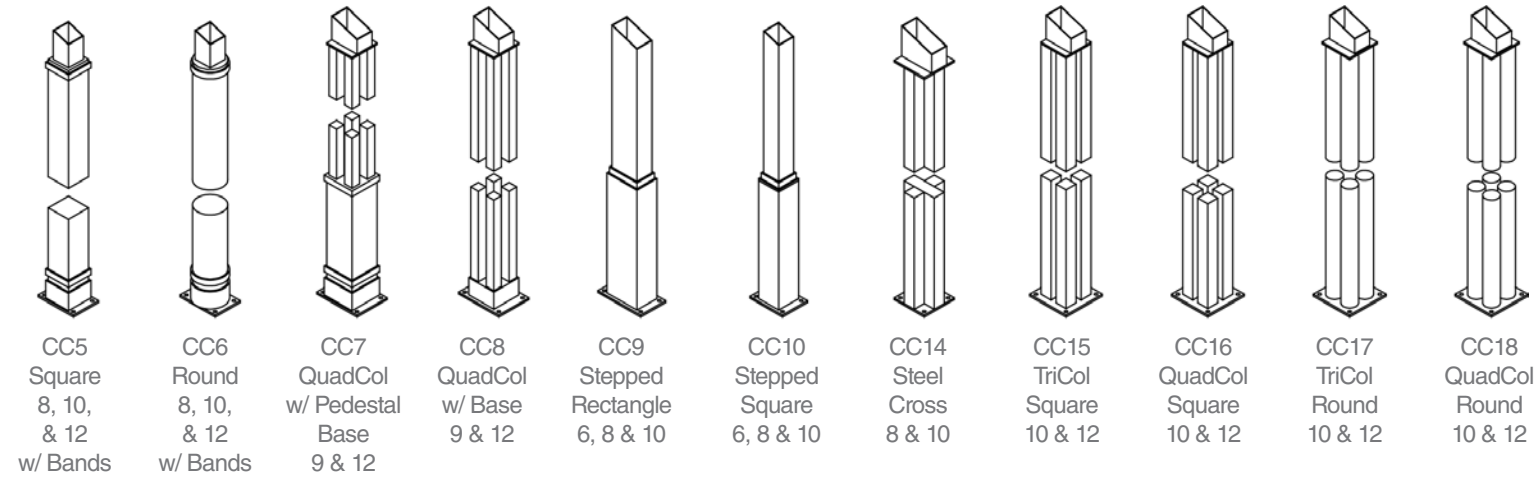


Interior view of Vented Roof Option



Interior view of Clerestory Roof Option

Optional Columns



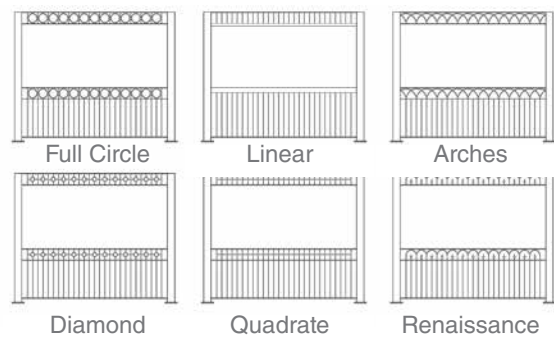
Column-to-Base Connection

The standard base connection for ICON shelters is to bury the base plate 6" below finished concrete (below left). Optional surface mounting is available with base covers for an additional charge. (right).



Handrails and Ornamentation

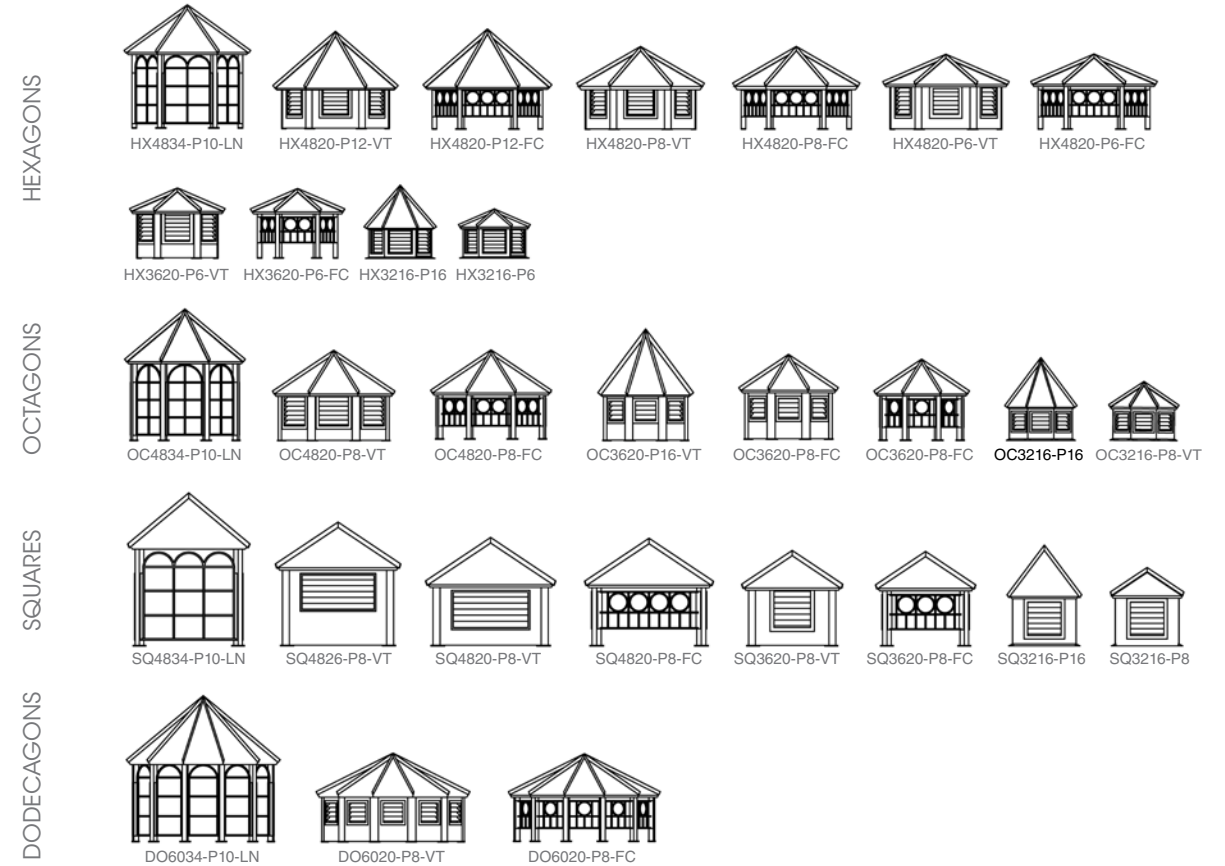
Standard and custom ornamentation for shelters and gazebos.



Cupolas

Shown is a broad sampling of cupolas available for many of the ICON shelter models. Custom sizes and styles are available. Cupolas shown for dodecagons are also available in 6' diameter.

The smaller cupolas are sheet metal only and sit on top of the roofing. The larger cupolas have steel tube frames and bolt to a compression ring.



Weathervanes

Several elements are available for weathervanes to adorn the peak of a cupola. Standard weathervanes are shown below. These are moderately priced units, and can be easily added to any cupola. Steel framing inside the cupola provides attachment. Optional custom weathervanes, like the one shown at right, are by special order.





LEED is Leadership in Energy and Environmental Design which is based on requirements developed by the United States Green Building Council (USGBC). The USGBC developed LEED for New Construction, or LEED-NC, with the latest version being LEED 2009. LEED allocates points on each of their credits; each credit is worth a minimum of 1 point and is always a whole point, no fractions of points. There is a maximum of 100 points; the points are allocated under seven topics.

Sustainable Sites (SS) - Credit 4.2: Alternative Transportation - Bicycle Storage and Changing Rooms
 Maximum of 1 Point within 200 yards of building entrance for 5% or more of all building users.
 ICON has Bicycle Racks & Bicycle Rack Covers

Sustainable Sites (SS) - Credit 7.1: Heat Island Effect - Nonroof, Maximum of 1 Point
 Option 1 - For 50% of hardscape provide shade from structures covered with solar panels that produce energy. Provide shade from structures that have solar reflectance index (SRI) of at least 29
 Option 2 - Place a minimum of 50% of parking spaces under cover. Roofing shall have an SRI of 29 or be a vegetative green roof or be covered by solar panels that produce energy.
 ICON has shelters that have metal roofing that meet the SRI criteria of 29. ICON's LiveShade shelters have roofing that is covered with green plants and ICON also have roofing materials with integrated solar panels for energy production.

Sustainable Sites (SS) - Credit 7.1: Heat Island Effect - Roof, Maximum of 1 Point
 Option 1 - Use roofing materials with SRI equal to or greater than the values in the table for a minimum of 75% of the roof surface. Low Slope Roof < 2:12 Minimum SRI of 78; Steep Slope Roof > 2:12 Minimum SRI of 29
 Option 2 - Install a vegetated roof that covers at least 50% of the roof area
 Option 3 - Install a combination of roofing and vegetated roof surfaces that meet the two criteria added together that is more than the roof surface area.
 ICON has shelters that have metal roofing that meet the SRI criteria for both roof slopes. ICON's LiveShade shelters have roofing that is covered with vegetation.

Energy and Atmosphere (EA) - Credit 2: On-site Renewable Energy, Maximum of 7 Points. Use on-site renewable energy systems to offset energy costs. Points based on percentage of renewable energy produced. From 1% for 1 point to 13% for 7 points.
 ICON offers shelters with solar panels that can produce energy.

Materials and Resources (MR) - Credit 2: Construction Waste Management, Maximum of 2 Points.
 Recycle and/or salvage nonhazardous construction debris. Recycle or Salvage 50% for 1 point. Recycle or salvage 75% for 2 points.
 ICON's scrap material from construction as well as the packaging materials can all be recycled.

Materials and Resources (MR) - Credit 4: Recycled Content, Maximum of 2 points. Use materials with recycled content such that the post-consumer recycled content plus 50% of the pre-consumer content constitutes at least 10% to 20%, based on cost, of the total value of the materials in the project. For 10% is 1 point and 20% is 2 points.
 ICON's steel content is made up of mostly pre-consumer recycled steel.

Materials and Resources (MR) - Credit 7: Certified Wood, Maximum of 1 Point. Use a minimum of 50% (based on cost) of wood-based materials that are certified in accordance with the Forest Stewardship Council's (FSC) principles and criteria for wood building components.
 ICON's wood products can be supplied with FSC certification.

Indoor Environmental Quality (IEQ) - Prerequisite 2: Environmental Tobacco Smoke (ETS) Control, Required
 Option 2 - Prohibit smoking in the building except in designated smoking areas.
 ICON can provide smoking shelters for employees to be able to smoke outside in a designated area.

There are minimum characteristics that a project must possess in order to be eligible for certification under LEED 2009. ICON suggests that you contact an accredited LEED Professional. ICON does not guarantee any awarded points based on the use of this information.

Picnic Table Capacities

The data given below is an estimate of the number of tables that could fit into the shelters listed. Numbers may vary due to table placement.

RG & RH	6' Tables	8' Tables	SQ	6' Tables	8' Tables	HX	6' Tables	8' Tables
12x24	2	2	12	1	1	12	1	1
12x44	5	4	16	4	2	16	2	1
12x64	7	6	20	4	3	20	4	2
16x24	5	3	24	6	4	24	5	3
16x44	8	7	28	8	6	28	7	4
16x64	12	10	30	12	10	30	8	6
20x24	5	4	34	14	12	36	10	8
20x44	9	7	36	16	14	40	14	11
20x64	14	10	40	23	18	44	18	13
24x24	6	5	44	28	22	48	22	17
24x44	13	10	48	32	26	50	24	19
24x64	20	14	50	36	28	56	30	24
30x44	20	15	60	50	41	60	34	25
30x64	28	21				66	42	32
30x84	36	27	OC	6' Tables	8' Tables	70	46	34
30x104	44	33	16	1	1			
36x44	20	13	20	3	2			
36x64	28	19	24	4	3			
36x84	40	26	28	7	5			
36x104	48	32	30	8	6			
40x44	20	18	34	9	7			
40x64	32	25	36	12	8			
40x84	40	36	40	16	10			
40x104	48	44	44	18	14			
50x64	49	38	48	22	18			
50x84	63	49	58	34	26			
50x104	77	60	66	42	32			
50x124	80	65	72	54	40			



roof options

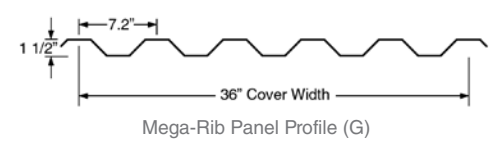
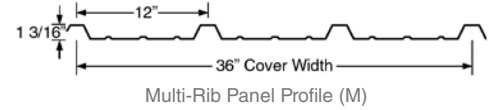


frame options



24 Ga. Steel Panels

24-gauge galvalume roof panels with a Kynar 500 paint finish. Multi-Rib and Mega-Rib are 36" wide panels that are pre-cut in our factory to fit your shelter. Field adjustment may be necessary for proper fit. Medallion-Lok standing seam roofing is provided uncut to be cut to fit in the field by others. Matching trim in 26 ga. galvalume and fasteners are provided.



Pre-Cut SIPs

Structural panels (SIPs) are factory-assembled, 4-5/8" thick, laminated and cut to fit on the structure. The composition is 7/16" OSB, 3-1/2" EPS foam core, and a 5/8" skin of T1-11 siding.

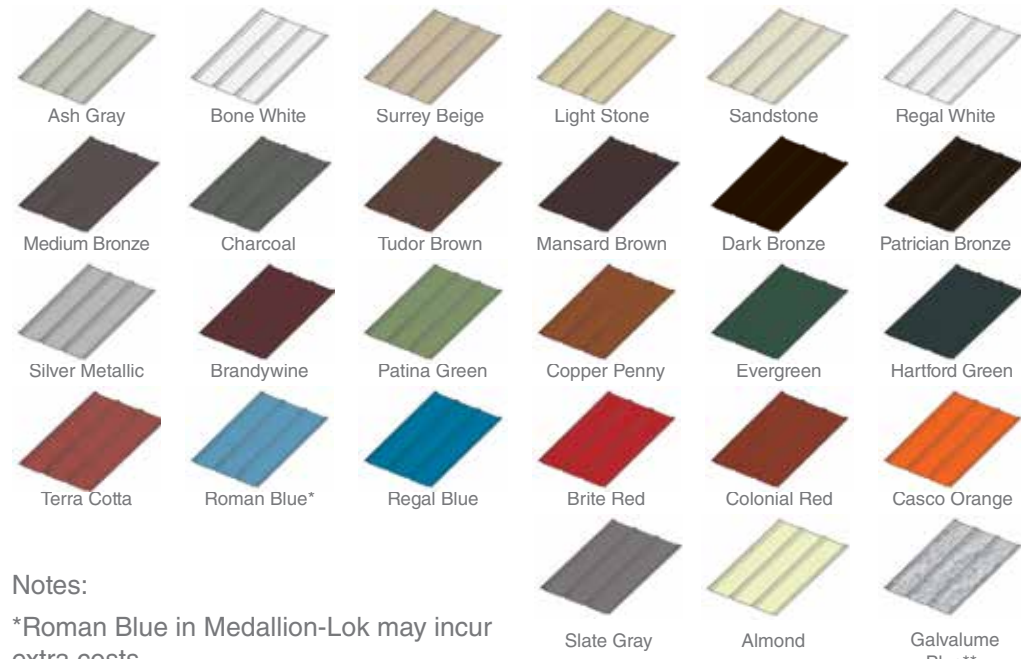


2x6 Tongue and Groove

The 2x6 tongue and groove wood roof deck is Western Lodgepole Pine, kiln dried, #2 or better, one edge V'd, one edge grooved. Fascia is cedar plank. T&G requires finished roofing materials.

Standard Steel Roof Colors

Kynar 500 coated roof panels with 24 gauge Galvalume® substrate



Notes:
 *Roman Blue in Medallion-Lok may incur extra costs.
 **Galvalume Plus is not Kynar 500 coated.

Actual colors may vary from printed samples



Prime Painted



Hot Dipped Galvanized



E-Coat and Powder Coat

Factory-priming protects the steel components from corrosion throughout the shipping and erection process. The steel is cleaned to remove loose mill scale, loose rust, loose paint, and other loose detrimental foreign matter. The cleaned steel will then be prime painted with quick dry, lead and chromate free alkyd primer. Finish painting in the field is required.

The hot-dip galvanizing process produces a zinc coating on steel products by immersion of the material in a bath of molten zinc metal. The steel to be coated is first cleaned to remove all oils, greases, soils, mill scale and rust. Because galvanized steel requires no maintenance for decades, its use in public construction is an efficient use of public funds.

ICON's premier steel coating is a combination of liquid epoxy primer and two coats of TGIC polyester powder coating. The process is:
 1. The steel is shot-blasted to the specification of SSPC-SP10 (shot-blasted to near white condition), removing all oil residue, mill scale, weld spatter and slag.
 2. The steel is immersed in zinc phosphate in an eight stage pretreatment process.
 3. It is immersed in an electrostatically applied liquid epoxy and coated to a uniform 0.7-0.9 mils. This E-coat totally encapsulates the part, preventing rusting.
 4. A double coat of TGIC polyester powder is applied, one coat of color and one clear coating for a final finish that is 8-12 mils thick.

Powder Coat Colors

(Actual colors may vary from printed samples)



ICON can coat your shelter with powders chosen from the RAL color chart. Shown are several RAL colors (\$\$) that have been popular on ICON projects recently. Actual colors may vary from printed samples. Please request actual color samples.

SELECTING AN RAL COLOR FROM THIS CHART WILL INCUR ADDED COSTS.

In highly corrosive environments, ICON recommends a hot-dipped zinc galvanizing prior to powder coating. This may produce a less smooth finish once coated.

wood
structures



wood
structures



iconographytwo

82

In the fall of 2015, ICON management heard a rumor that Cedar Forest Products Inc. was not accepting any new orders, and the owner planned to end operations. After 45 years, CFP was going to shut its doors in Polo, Illinois.

At the NRPA that fall, ICON personnel were approached by several sales agencies seeking a source for their wood shelters, bridges and enclosed structures. They had customers who depended on them for these products, and they wanted someone to fill those orders.

Upon returning from the show, ICON management visited the CFP offices and spoke with the general manager, inquiring as to the veracity of the rumors heard throughout the industry. The answer was a resounding YES! Unbelievable. To make a long story short, ICON offered the CFP general manager a job, which he accepted. He finished up the orders that were in house, and left Illinois for Michigan, joining the ICON group in 2016.

ICON also hired the CFP wood shop foreman, and in the spring of 2016 attended the CFP auction where they acquired much of the machinery needed to set up a wood shop. ICON did not purchase the intellectual property rights of CFP. With the hiring of the CFP general manager and wood shop foreman, and decades of shelter experience already within the company, they had enough intellectual capital of their own.



83

(800) 748-0875
www.iconshelters.com

Leaf Shelters

*Photo courtesy of Design Concepts © Scott Dressel-Martin
Adobe Photoshop® Dry Brush by Richard Lubbers*



BEN SHAFFER RECREATION Inc.
Serving NJ since 1921

PARK, PLAYGROUND & STREETScape SOLUTIONS

1-800-953-2021

www.benshaffer.com sales@benshaffer.com

DREAM * DESIGN * DELIVER



Copyright © 2017
 ICON Shelter Systems Inc.
 Holland, Michigan
 D17001 - Printed April, 2017